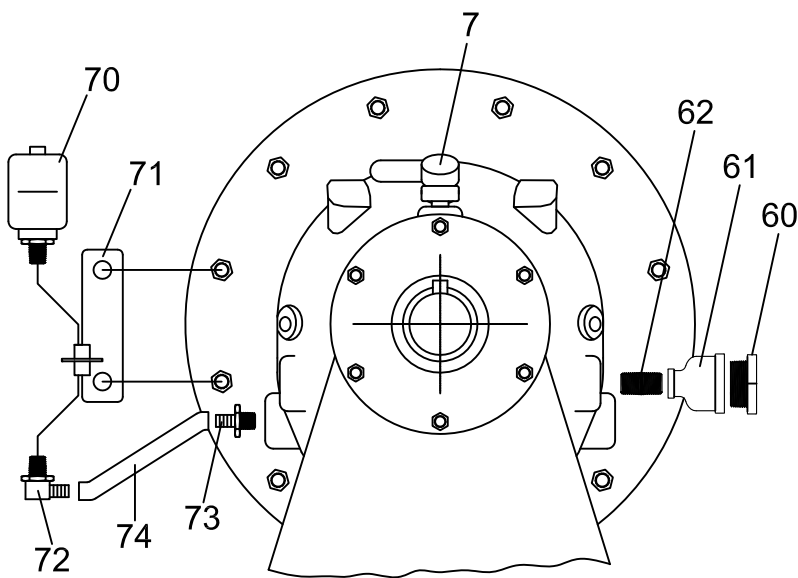
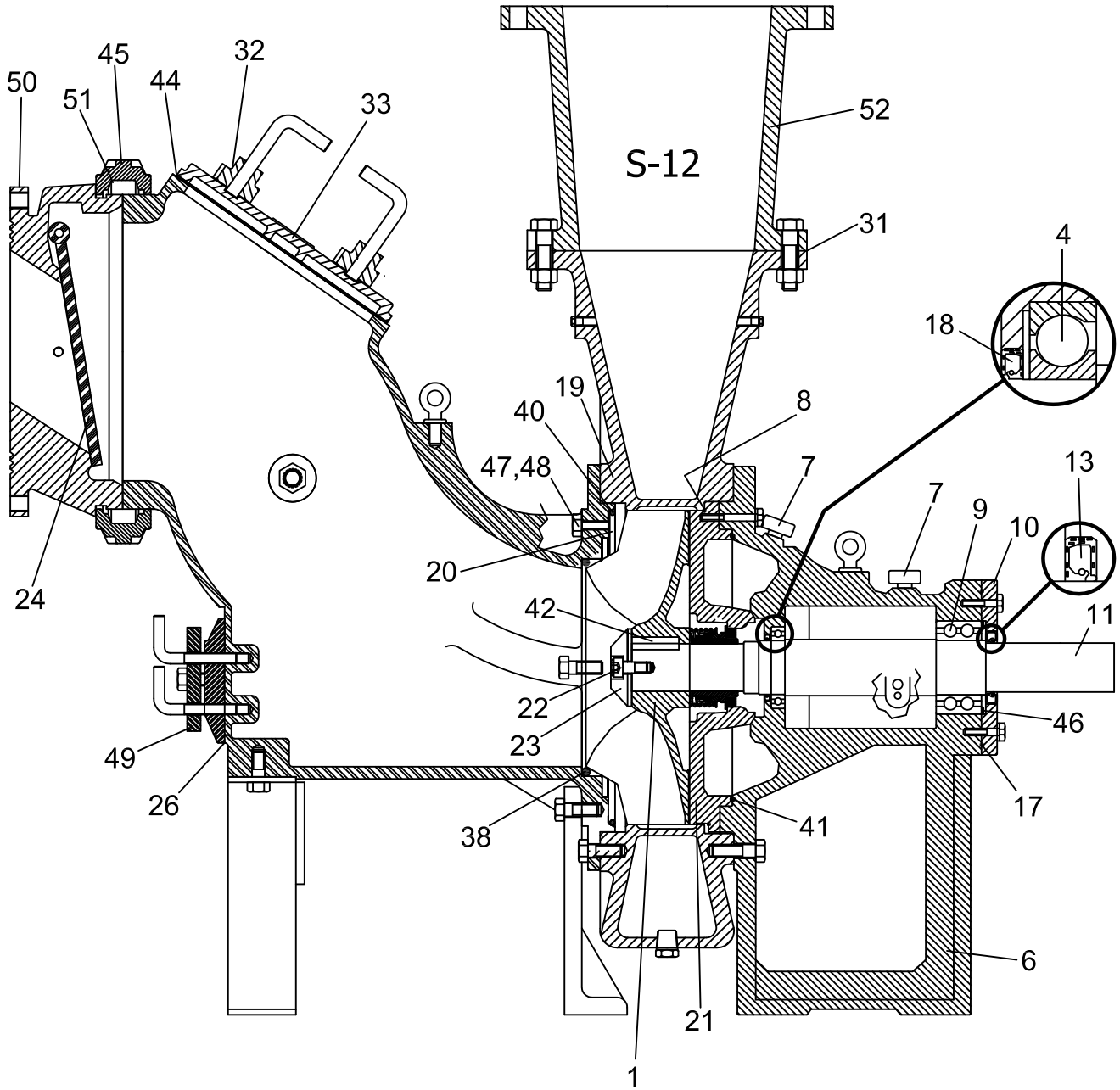
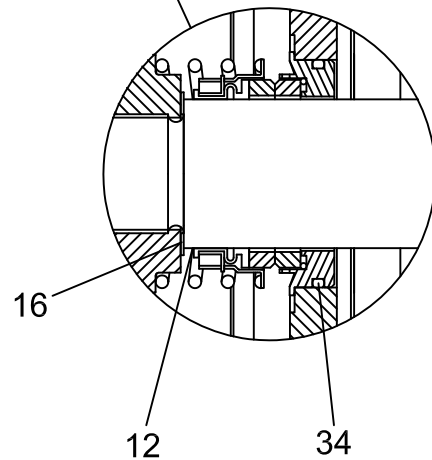


S-12 Parts



3 - seal detail



S-12 Parts



ALL PRIME PUMPS
p. 800-803-0353

<i>item</i>	<i>description</i>	<i>AP part no.</i>	<i>GR part no.</i>
1*	impeller S12 - D/I(std)	316.010.100	38615-710-11030
3*	seal, mech. - 2.75"	316.010.300	46512-061
4*	bearing, I/B - S12	316.011.300	23413-216
6	housing, bearing S12 - std	316.010.400	38257-511-10010
7	vent, air	310.010.601	S1703
8*	o-ring, casing - Buna	316.011.600	25152-283
9*	bearing, O/B - S12	316.012.300	23421-417
10	cap, bearing S12 - std	316.010.900	38322-419-10010
11	shaft S12 - std	316.011.100	38512-519-16040
12*	shaft sleeve	316.012.400	31513-015-17200
13*	oil seal O/B - Nitrile	316.011.200	25258-851
15	o-ring, sleeve - Buna	310.139.000	25152-139
16*	shims, impeller	316.011.500	48261-033
17*	o-ring, bearing cap - Buna	315.013.800	S1874
18*	oil seal I/B - Nitrile	316.011.200	25258-851
19	casing S12 - std	316.030.000	46471-534
20*	wear plate S12 - std	316.210.000	38691-808-1103
21	seal plate S12 - std	316.011.900	38272-706-10010
22	screw, impeller - SS	316.011.701	
23	washer, impeller - std	316.011.800	31167-012-15030
24*	check valve S12 - STD	316.120.000	46411-068
26*	gasket, cleanout cover S12	316.190.000	38682-016-20000
31*	gasket, disch & suction flg S12	316.040.000	2751G-18000
32	clamp bar, fill cover S12 - std	316.270.000	12872-11000
33	plate, fill cover S12 - std	316.300.000	48271-026
34*	o-ring, seal plate - Buna	316.011.650	25152-256
38*	o-ring, wear plate ID - Buna	316.013.100	25152-278
40*	o-ring, wear plate OD - Buna	316.011.600	25152-283
41*	o-ring, pedestal - Buna	316.013.200	25152-282
42*	key, impeller	316.012.900	N0812-15990
44*	gasket, cover plate S12	315.191.000	38688-015-20000
45	victaulic coupling S12	316.013.600	25552-214
47	screw, wear plate adj.	316.013.300	31871-040
48	nut, wear plate jam	316.013.400	AT08-15991
49	clamp bar, cleanout cvr. S12	316.190.100	38111-310 11010
50	check valve body S12 - std.	316.030.300	38341-806-10010
51	gasket, victaulic S12 - rubber	316.013.610	
52	discharge adapter S12 - std.	316.030.100	25512-035
60	sight gauge, S12 - 1-1/2"mnpt	316.011.401	
61	reducer, galv, S12	316.011.402	
62	nipple, S12	316.011.403	
70	oil reservoir, S12	316.011.450	26713-004
71	bracket, oil reservoir, S12	316.011.454	41881-617-24150
72	ftg, elbow, 90deg, barbed, S12	316.011.451	26523-506
73	ftg, straight, barbed, S12	316.011.452	26523-409
74	hose, 3/8", S12	316.011.453	31411-227-19360

Notes:

1. p/n 316.010.300 mechanical seal, component - includes sleeve o-ring, & impeller shim set.
2. parts are FOB Jacksonville, FL
3. * indicates recommended spares