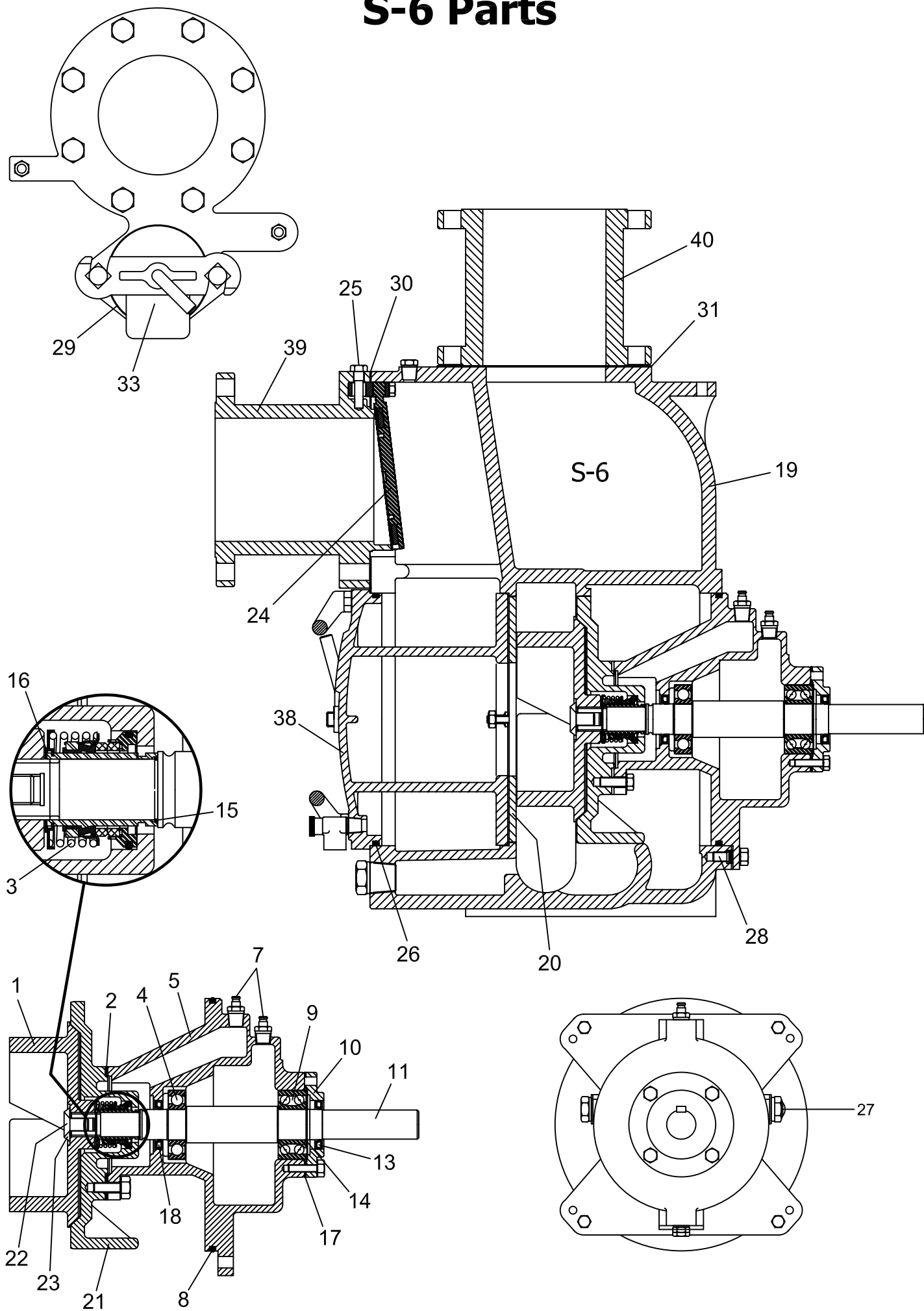


# S-6 Parts



# S-6 Parts



**ALL PRIME PUMPS**  
**p. 800-803-0353**

<i>item</i>	<i>description</i>	<i>AP part no.</i>	<i>GR part no.</i>
1*	impeller S6 - D/I(std)	313.010.100	10958-11010
1*	impeller S6 - CD4	313.010.104	10958-1718H
2*	gasket, seal plate S346, XS346, I34	311.010.200	10959G-20000
3*	seal, mech. - 1.5" (cart.w/sleeve) Δ	310.010.310	46513-151
3*	seal, mech. - 1.5" (comp.no-sleeve) ▲	310.010.300	12364A
4*	bearing, I/B - S4,S6,I3,I4	312.011.300	23276-009
5	housing, bearing S6 - C/I(std)	313.010.400	10959B-10010
7	vent, air	310.010.600	S1530 w/bushing
8*	o-ring - Buna	312.011.600	S1674
8*	o-ring - Viton	312.011.601	25154-449
9*	bearing, O/B - S4,S6,I3,I4	312.012.300	S1040
10	cap, bearing S4,S6,I3,I4	312.010.900	38322-215-11010
11	shaft S46,I4 - std (sleeve type) Δ	312.011.100	10529-16040
11	shaft S46,I4 - 17-4 (no-sleeve design) ▲	312.011.120	10529B-1706H
13*	oil seal O/B - Nitrile	310.011.200	S1352
14	retaining ring, bearing	310.012.100	S244
15	o-ring - Buna	310.012.500	25152-022 (S2088)
15	o-ring - Viton	310.012.501	25154-022
16	shims, impeller	310.011.500	37J-17090
17*	gasket, bearing cap S4,S6,I3,I4	312.012.000	38683-248-18000
18*	oil seal I/B - Nitrile	310.011.200	S1352
19	casing S6,XS6 - C/I(std)	313.030.000	46472-708
20*	wear plate S6,XS6 - std	313.210.000	46451-723-24150
20*	wear plate S6,XS6 - CD4	313.210.004	46451-723-1718H
21	seal plate S6 - C/I(std)	313.011.900	11837E-10010
21	seal plate S6 - CD4	313.011.904	11837E-1718H
22	screw, impeller - std	310.011.700	F1004S-1500G
22	screw, impeller - SS	310.011.701	F1004S-1704G
23	washer, impeller - std	310.011.800	31167-029-16000
23	washer, impeller - SS	310.011.801	31167-029-1706H
24*	check valve S6,XS6,I6 - STD	313.120.000	46411-064
24*	check valve S6,XS6,I6 - Viton	313.120.001	46411-088
25	pin, check valve, S6,XS6,I6	313.100.000	11645-17010
26*	o-ring - Buna	313.011.600	S1676
26*	o-ring - Viton	313.190.001	25154-454
27	sight gauge	310.011.400	S1471
28	screw, rot.ass'y adj.	310.080.000	
29*	gasket, fill cover (all but S12)	310.280.000	50G-19210
30*	gasket, suction flg. S6,XS6,I6	313.090.000	11402G-19370
31	gasket, disch. flg. S6,XS6,I6	313.040.000	1679G-19370 (25113-036)
33	fill cover kit - std (bar,plate,gask,scrw)	310.350.000	
38	cover (clean-out) S6,XS6 - C/I(std)	313.130.000	42111-905
39	spool, suction S6,XS6,I6 - C/I(std)	313.110.000	11402A-10010
40	spool, discharge S6,XS6,I6 - C/I(std)	313.070.000	11402B-10010

**Notes:**

- 1a. p/n 310.010.310 mechanical seal, cartridge - includes sleeve o-ring, impeller shim set & sleeve.
- 1b. p/n 310.010.300 mechanical seal, component - includes sleeve o-ring, impeller shim set & NO sleeve.
- 2. parts are FOB Jacksonville, FL
- 3. \* indicates recommended spares