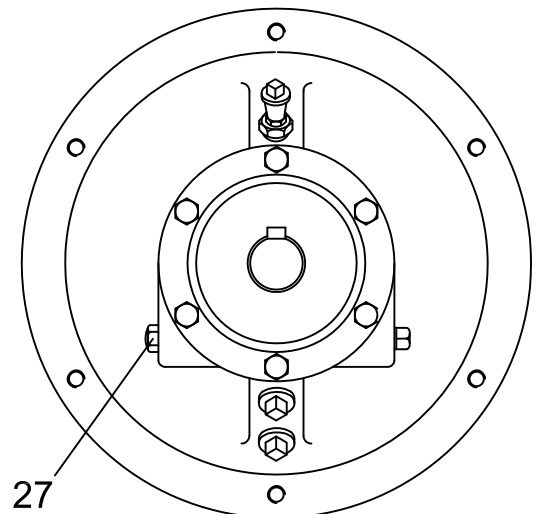
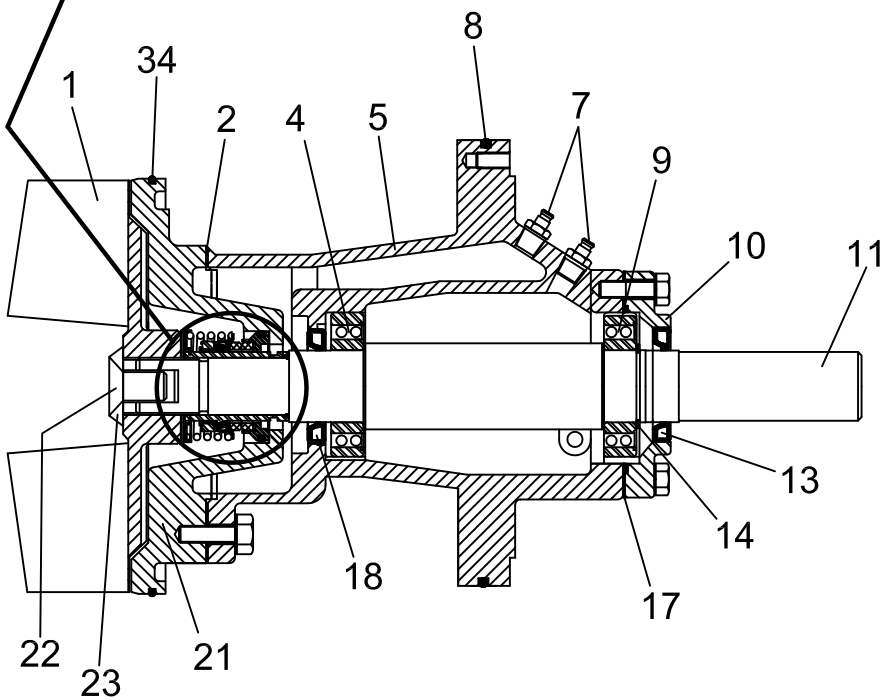
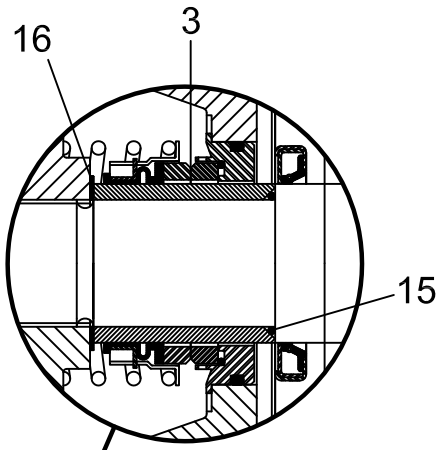
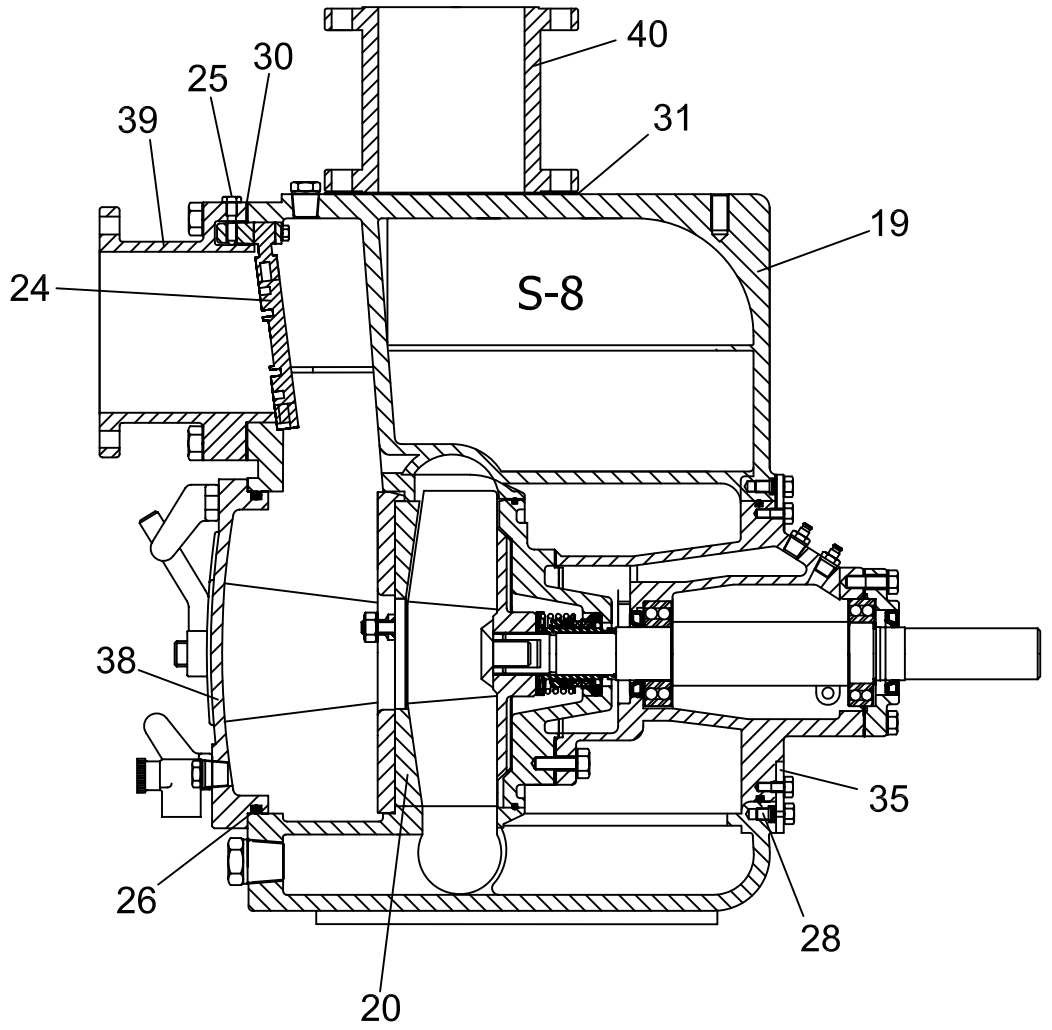
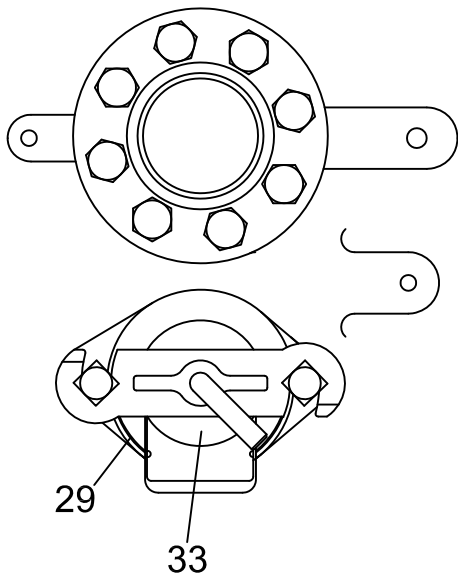


S-8 Parts



S-8 Parts



ALL PRIME PUMPS
p. 800-803-0353

<i>item</i>	<i>description</i>	<i>AP part no.</i>	<i>GR part no.</i>
1*	impeller S8,XS8 - D/I(std)	314.010.100	12349-11000
1*	impeller S8,XS8 - CD4	314.010.104	12349-1718H
2*	gasket, seal plate S8,XS8,I6	314.010.200	12350G-20000
3*	seal, mech. - 1.88" (cart.w/sleeve) Δ	314.010.310	46513-154
3*	seal, mech. - 1.88" (comp.no-sleeve) ▲	314.010.300	
4*	bearing, I/B - S8,XS8,S10,XS10,I6	314.011.300	23421-461
5	housing, bearing S8 - C/I(std)	314.010.400	38251-510-10000
7	vent, air	310.010.600	S1530 w/bushing
8*	o-ring - Buna	314.011.600	S1914
8*	o-ring - Viton	314.011.601	25154-458
9*	bearing, O/B - S8,XS8,S10,XS10,I6	314.012.300	23422-412
10	cap, bearing, S810,XS810,I6 - C/I(std)	314.010.900	38322-415-10010
11	shaft S8 - std (sleeve type) Δ	314.011.100	38515-577-16000
11	shaft S8 - 17-4 (no-sleeve design) ▲	314.011.120	38515-576-1706H
13*	oil seal O/B - Nitrile	314.011.200	S1917
14	retaining ring, bearing	314.012.100	S215
15*	o-ring - Buna	314.012.500	25152-026
15*	o-ring - Viton	314.012.501	25154-026
16*	shims, impeller	314.011.500	5091-17090
17*	o-ring - Buna	314.012.000	S333
18*	oil seal I/B - Nitrile	314.011.200	S1917
19	casing S8,XS8 - C/I(std)	314.030.000	46472-714-10010
20*	wear plate S8,XS8 - std	314.210.000	12348A-10010
20*	wear plate S8,XS8 - CD4	314.210.004	12348A-1718H
21	seal plate S8,XS8 - C/I(std)	314.011.900	12350-10010
21	seal plate S8,XS8 - CD4	314.011.904	12350-1718H
22	screw, impeller - std	310.011.700	F1004S-1500G
22	screw, impeller - SS	310.011.701	F1004S-1704G
23	washer, impeller - std	310.011.800	31167-029-16000
23	washer, impeller - SS	310.011.801	31167-029-1706H
24*	check valve S8,XS8 - STD	314.120.000	46411-066
24*	check valve S8,XS8 - Viton	314.120.001	46411-090
25	pin, check valve, S8,XS8	314.100.000	12357-17010
26*	o-ring - Buna	314.190.000	S1915
26*	o-ring - Viton	314.190.001	25154-459
27	sight gauge	310.011.400	S1471
28	screw, rot.ass'y adj.	310.080.000	
29*	gasket, fill cover (all but S12)	310.280.000	50G-19210
30*	gasket, suction flg. S8,XS8	314.090.000	12356G-19370
31	gasket, disch. flg. S8,XS8	314.040.000	1759GB-19370
33	fill cover kit - std (bar,plate,gask,scrw)	310.350.000	
34*	o-ring - Buna	314.011.600	S1914
34*	o-ring - Viton	314.011.601	25154-458
35	casing ring, S8,XS8,S10,XS10 - std	315.012.600	31281-016-15990
38	cover (clean-out) S8,XS8 - C/I(std)	314.130.000	42111-954
39	spool, suction S8,XS8 - C/I(std)	314.110.000	12356-10010
40	spool, discharge S8,XS8 - C/I(std)	314.070.000	12799-10010

Notes:

- 1a. p/n 314.010.310 mechanical seal, cartridge - includes sleeve o-ring, impeller shim set & sleeve.
- 1b. p/n 314.010.300 mechanical seal, component - includes sleeve o-ring, impeller shim set & NO sleeve.
- 2. parts are FOB Jacksonville, FL
- 3. * indicates recommended spares